

# CAI PEDESTAL Package

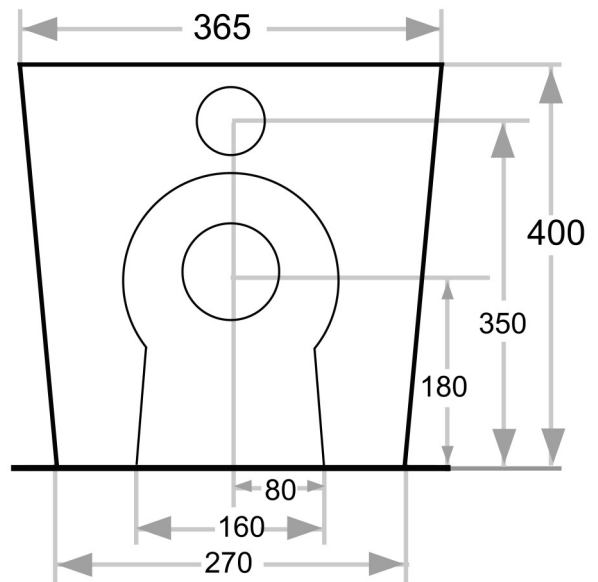
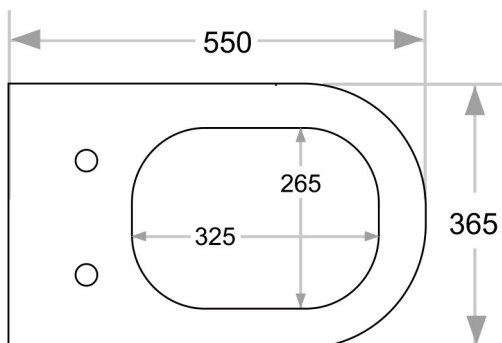
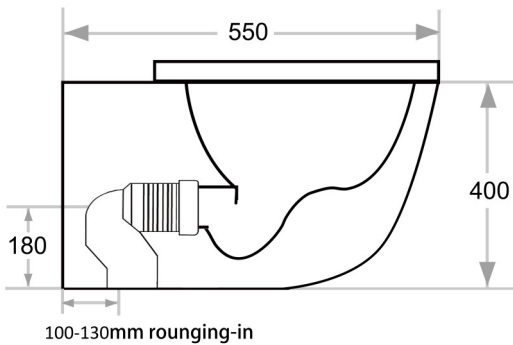
## Includes:

- Pan M2370B Cai Pedestal Pan - with Soft Close Quick Release Seat
- Cistern 9.370.503 8cm TECE Cistern
- TECEnow Flush Button
- Variable Set-Out 100-130mm

Suitable for use with all TECE Floor Mount Cisterns

Manufactured in PRC

2 Years Warranty



Proudly imported and distributed by  
Gro Agencies Pty Ltd  
Unit 2 / 37 Howe St, Osborne Park, WA, 6017  
P 08 9446 3288 E info@groagencies.com.au W www.groagencies.com.au



## 8cm PEDESTAL CISTERN

Code - 9.370.503

Suitable for use in:  
Double Brick Cavity Walls  
90mm Stud Frame Walls

Front Button Mounting

Sheeting Requirements (Prior to tiling):  
Standard Buttons - 18mm non flex board  
Flush Mount Buttons - 25mm non flex board

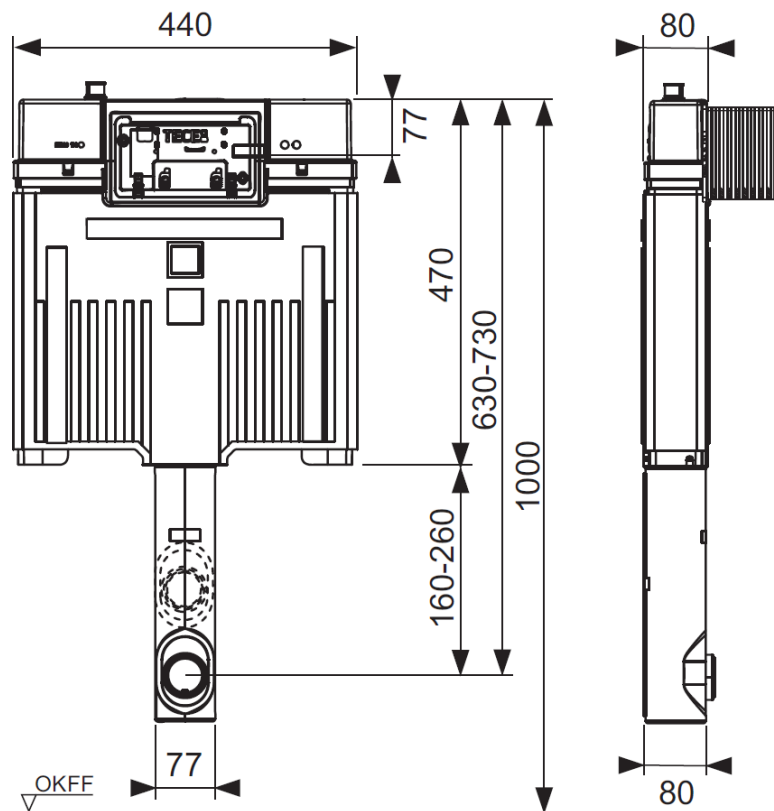
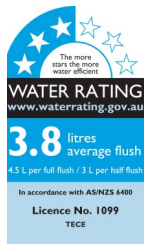
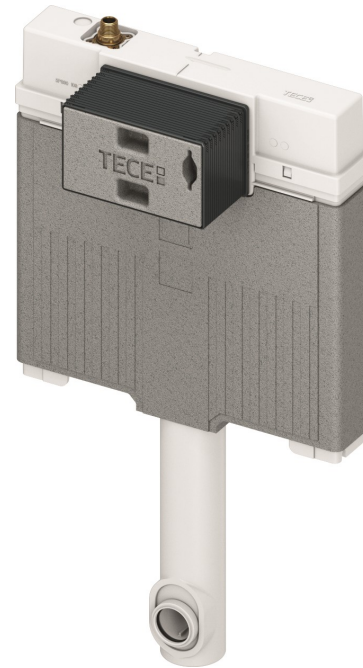
**Note:** Square Metal Buttons require **30mm**  
overall thickness including sheeting & tiling

Water Inlet top left side

2 Year Parts and Labour Warranty on  
Internals  
10 Year Warranty on Cistern Construction

# TECE

close to you



Proudly imported and distributed by  
Gro Agencies Pty Ltd  
Unit 2 / 37 Howe St, Osborne Park, WA, 6017  
P 08 9446 3288 E info@groagencies.com.au W www.groagencies.com.au

**gro**  
agencies

# TECEnow PUSH PLATE

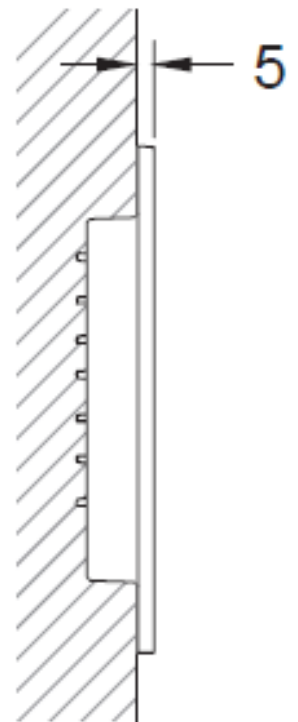
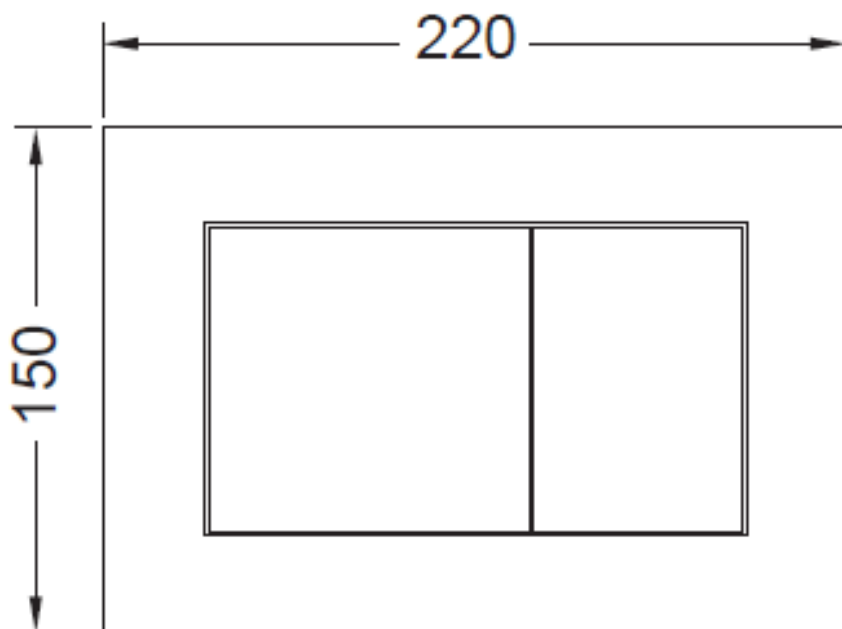
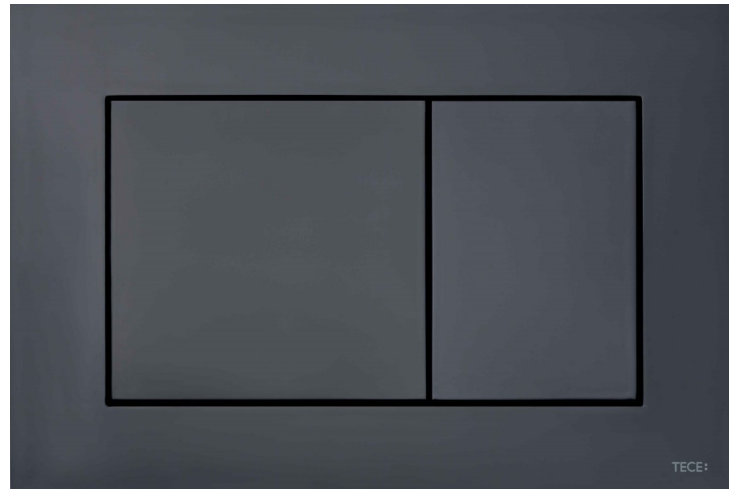
**TECE**  
close to you

Gloss White -	9.240.400
Chrome -	9.240.401
Matt Chrome -	9.240.402
Gloss Black -	9.240.403
Matte Black -	9.240.407
Matte White -	9.240.417

Suitable for use with all TECE Cisterns

Minimum wall thickness for button installation is 18mm (includes sheeting and tiles)

When using wall hung cisterns TECE recommend using compressed sheeting/non flexing board.



Proudly imported and distributed by  
Gro Agencies Pty Ltd  
Unit 2 / 37 Howe St, Osborne Park, WA, 6017  
P 08 9446 3288 E [info@groagencies.com.au](mailto:info@groagencies.com.au) W [www.groagencies.com.au](http://www.groagencies.com.au)

**gro**  
agencies